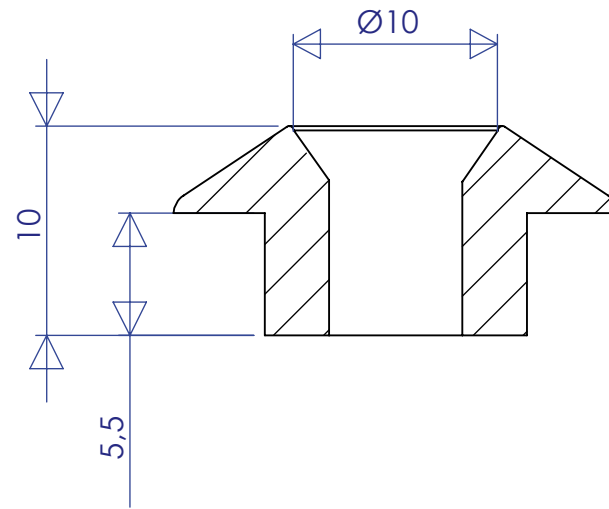
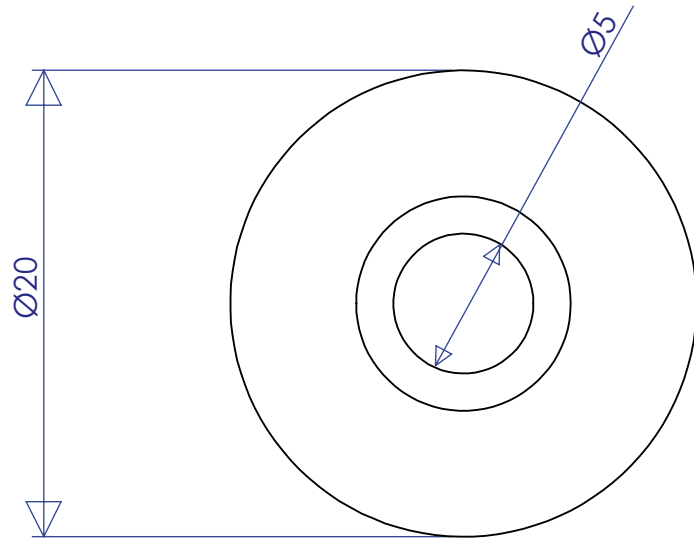


# REF: 52770 Mooring Deck Fitting



weight: 1,5g