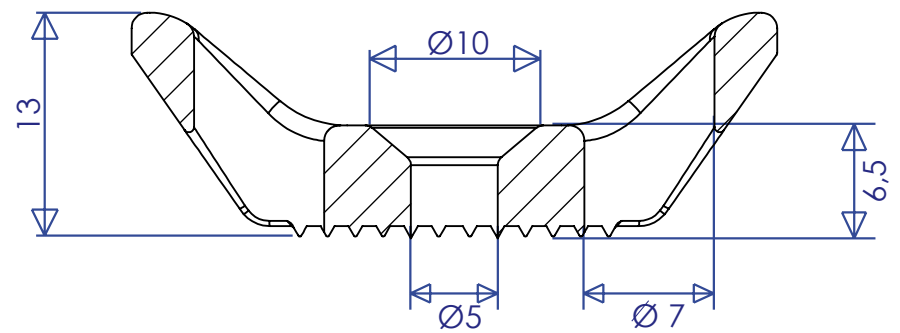
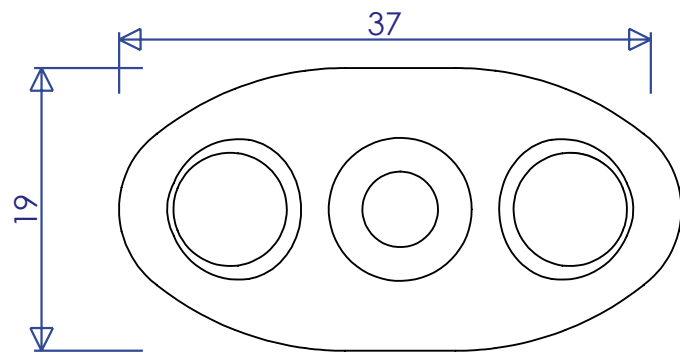


REF: 52787 Double Eyelet Surface Deck Fitting



weight: 3,2g