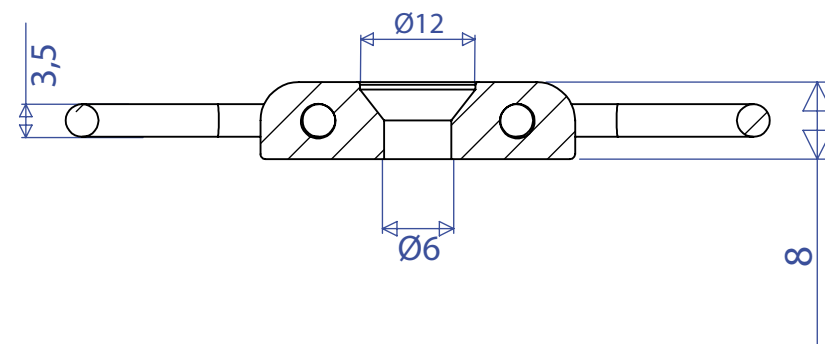
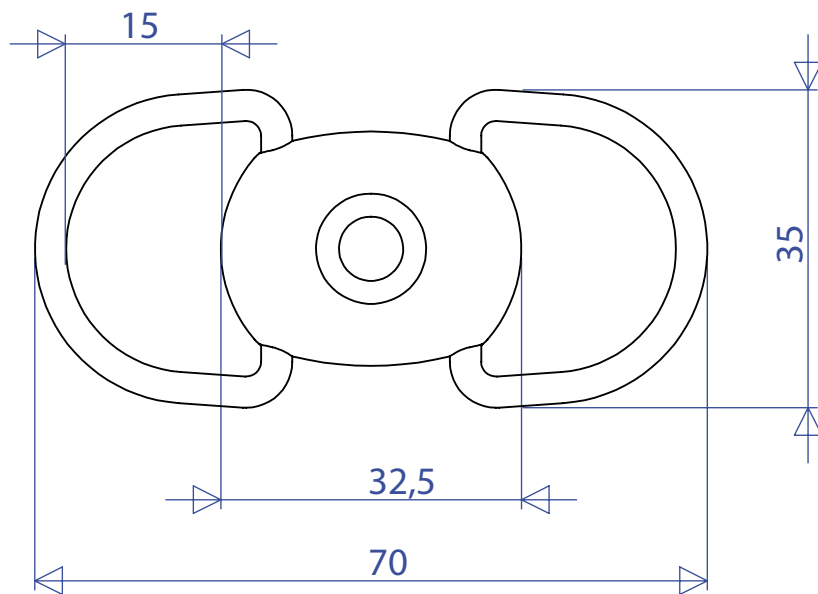


REF: 52788 Double Loop Deck Fitting



weight: 18g