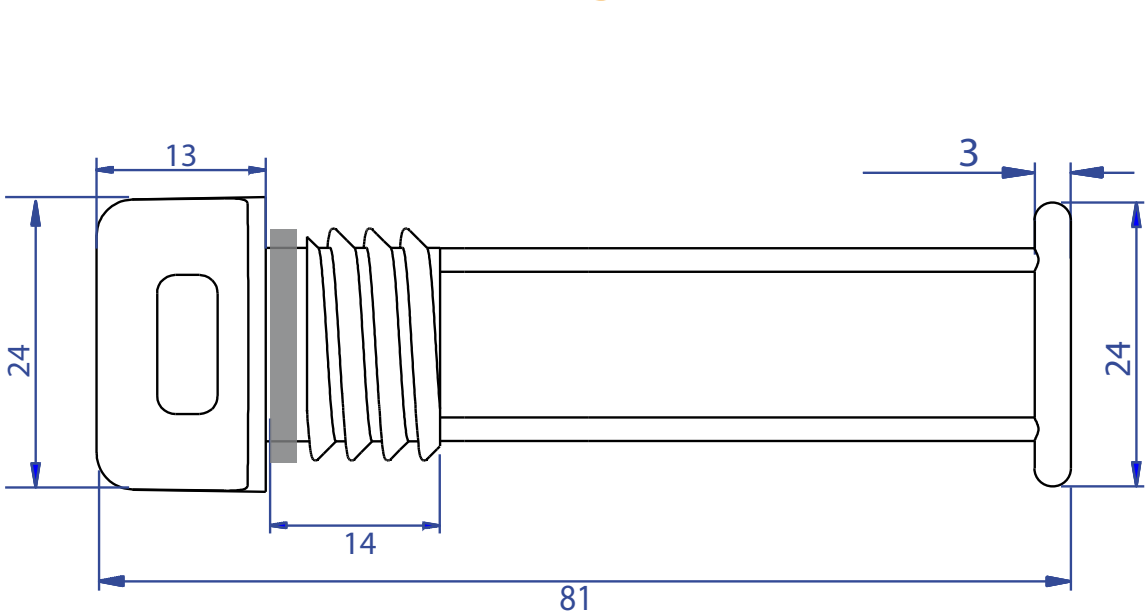


REF: 52809 Drain Plug LONG standard thread



weight: 5,7 g.

