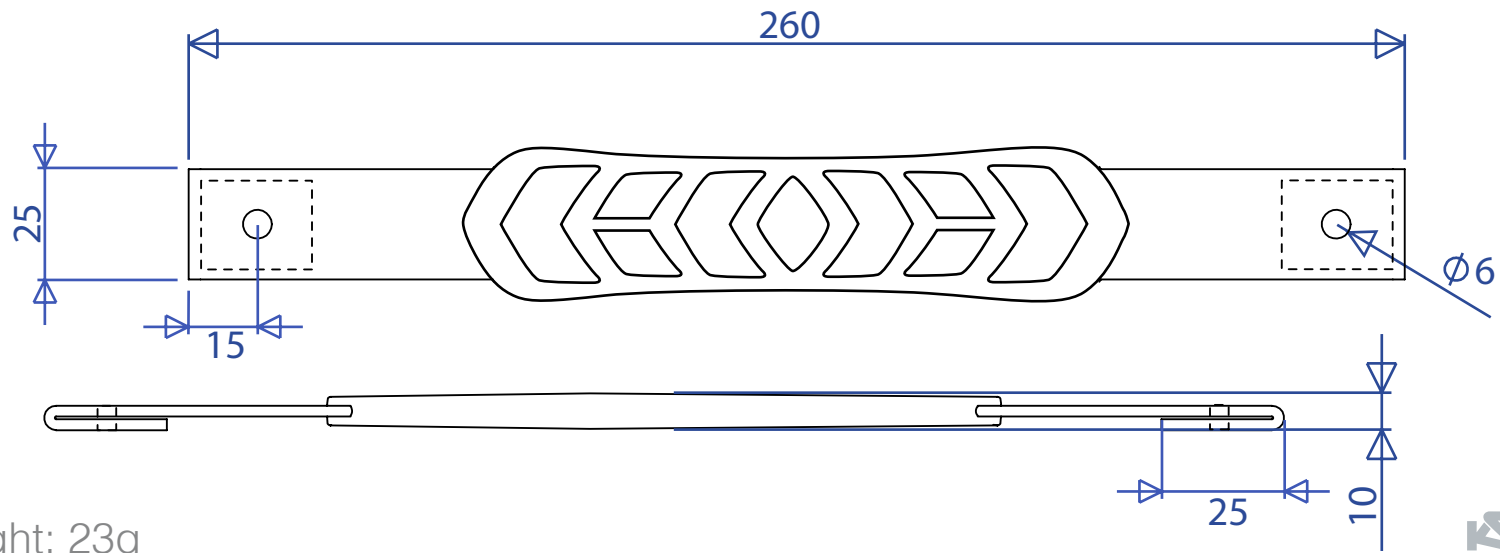


REF: 52840 Flat Moulded webbing handle



weight: 23g