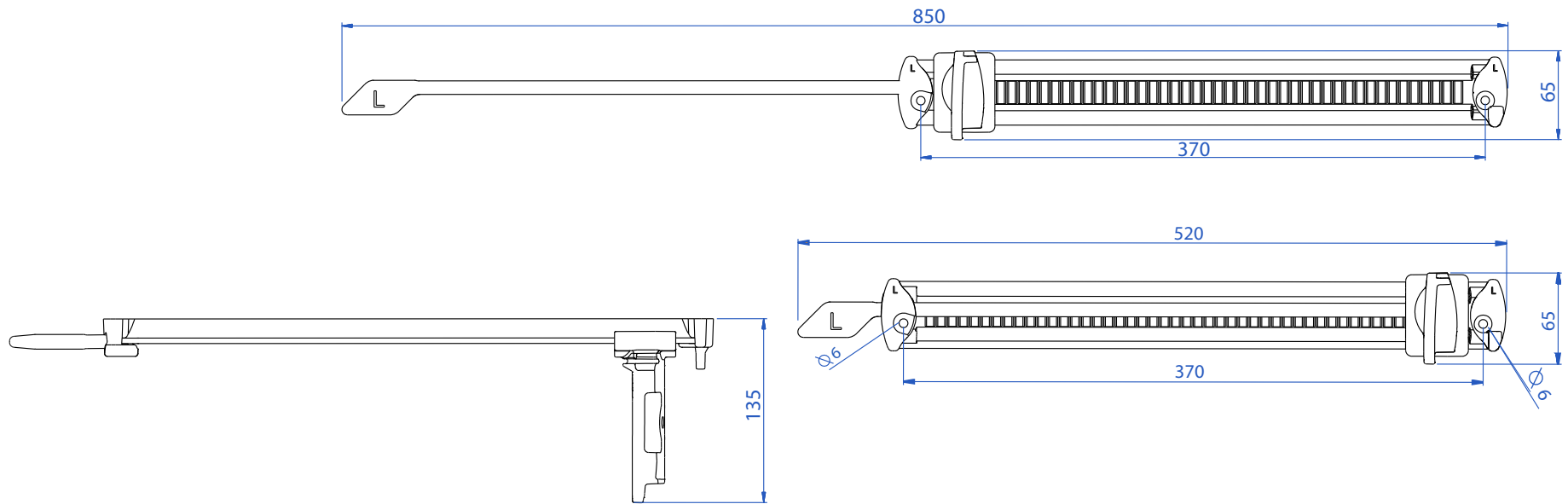


# REF: 53050 ARTIK Foot Brace (PA Rail)



weight: 355g