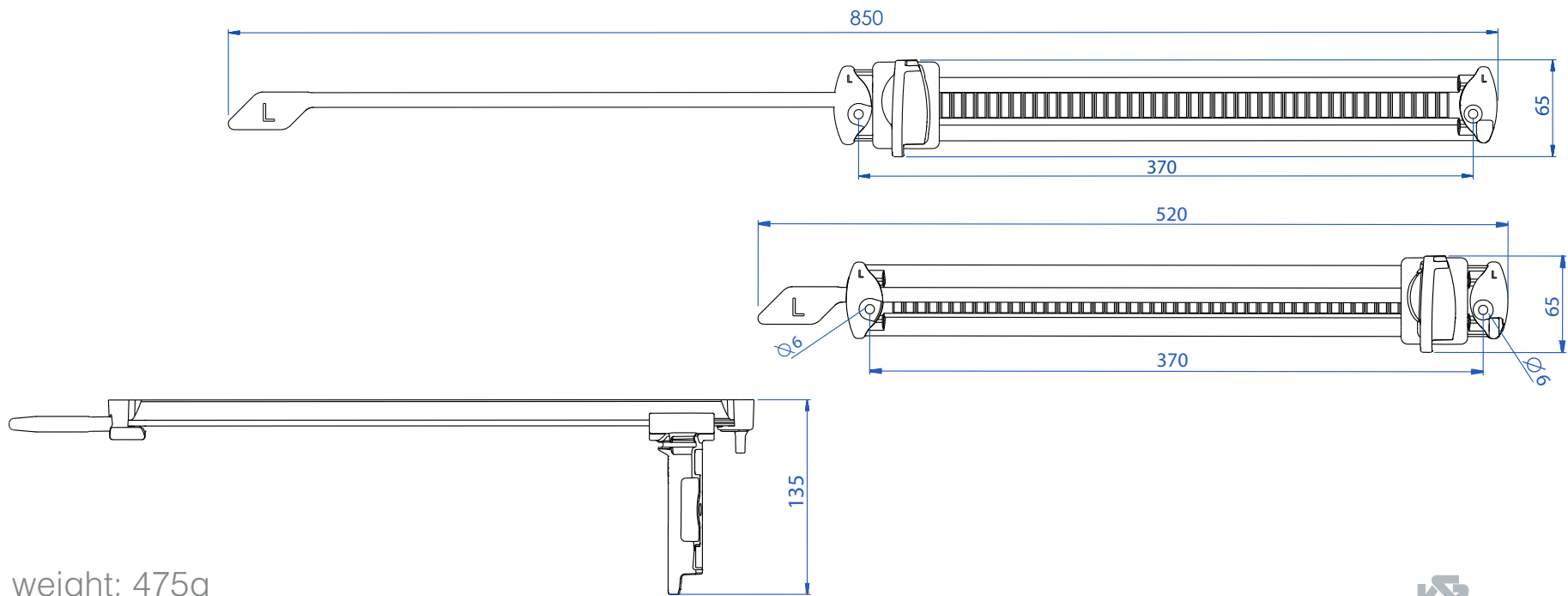


REF: 53060 ARTIK Foot Brace (Aluminium Rail)



weight: 475g