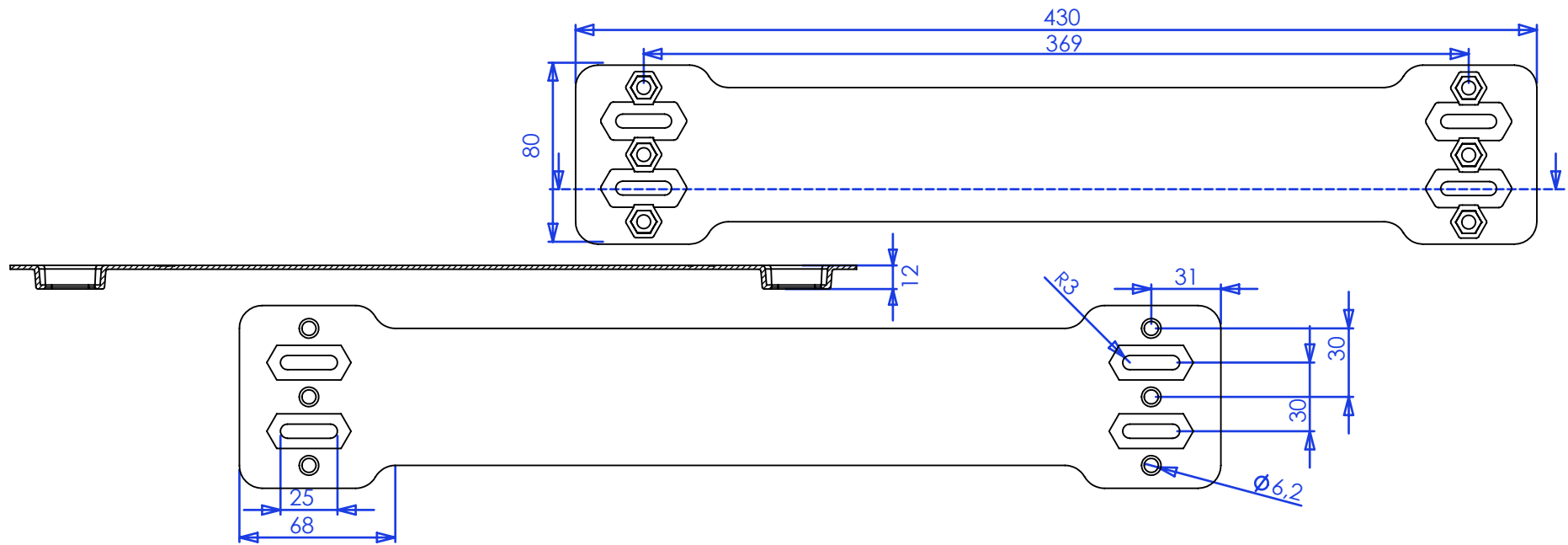


REF: 53106 Foot Brace Plate (Vertical Adjustment)



weight: 123,7g