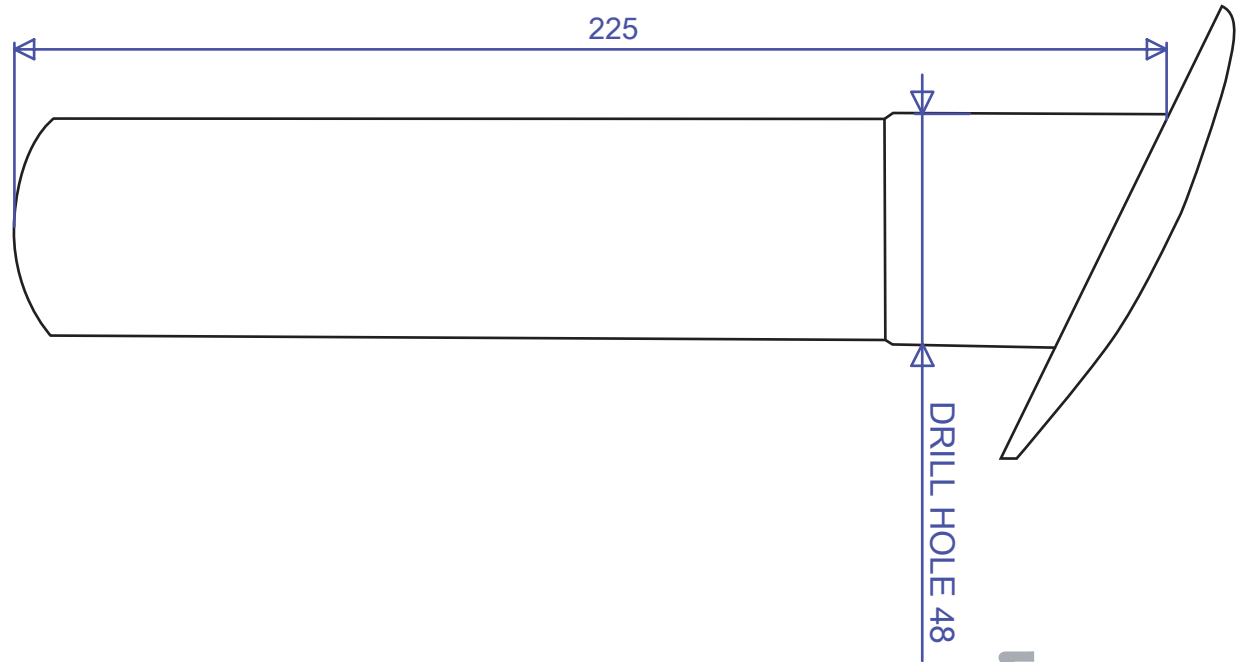
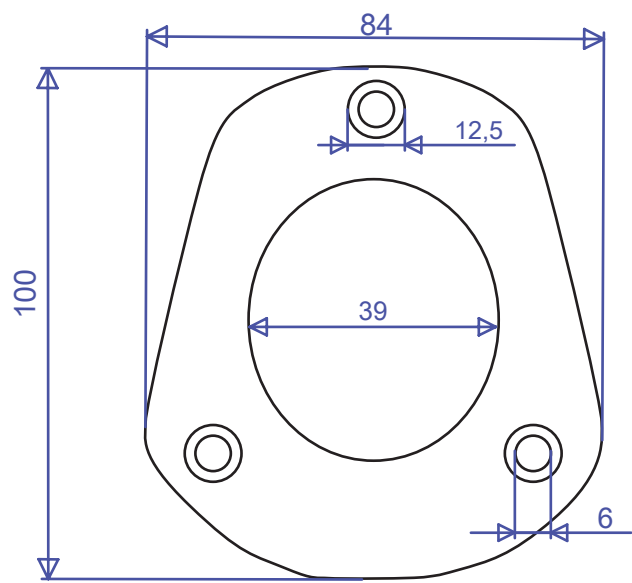


REF: 55005 Flush Mount Oval Rod Holder



weight: 146g