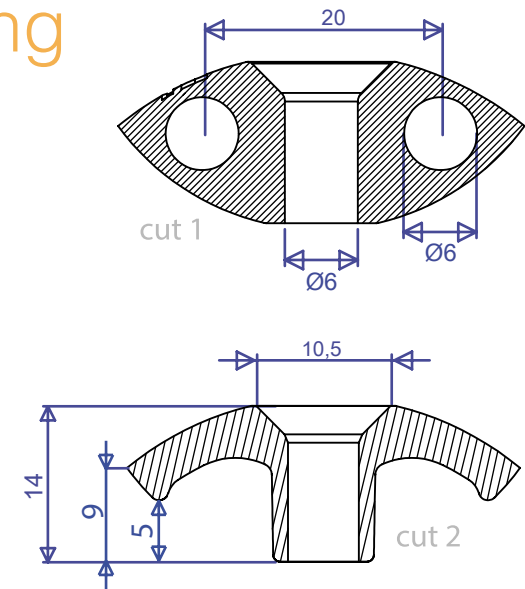
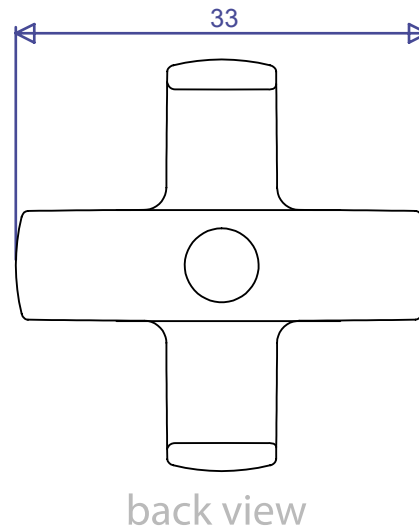
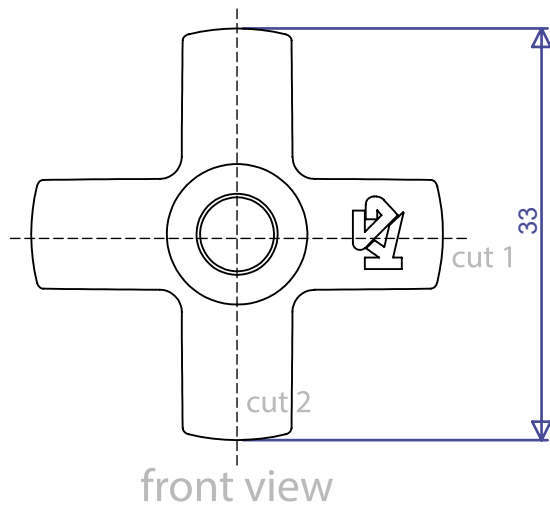


REF: 52782 Star Recessed Deck Fitting



weight: 4,4g