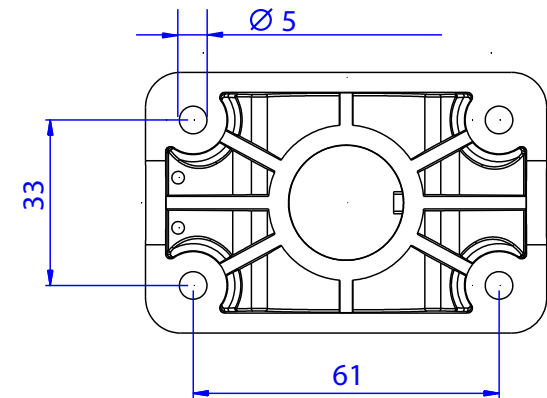
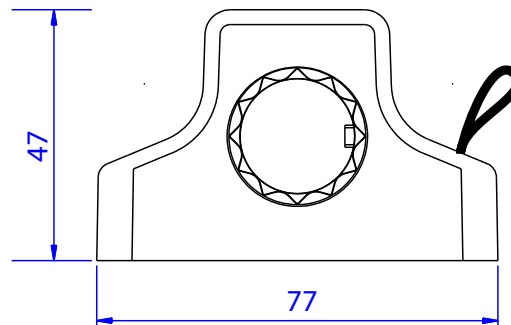
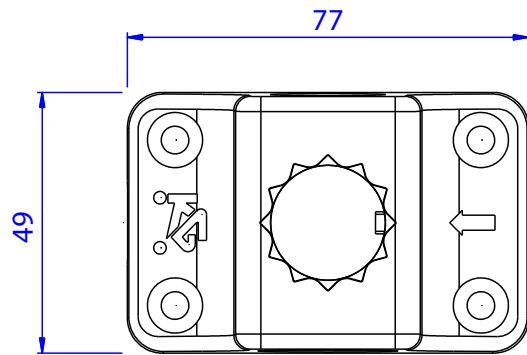


# REF: 55010 Multipurpose rectangular deck mount



weight: 82g