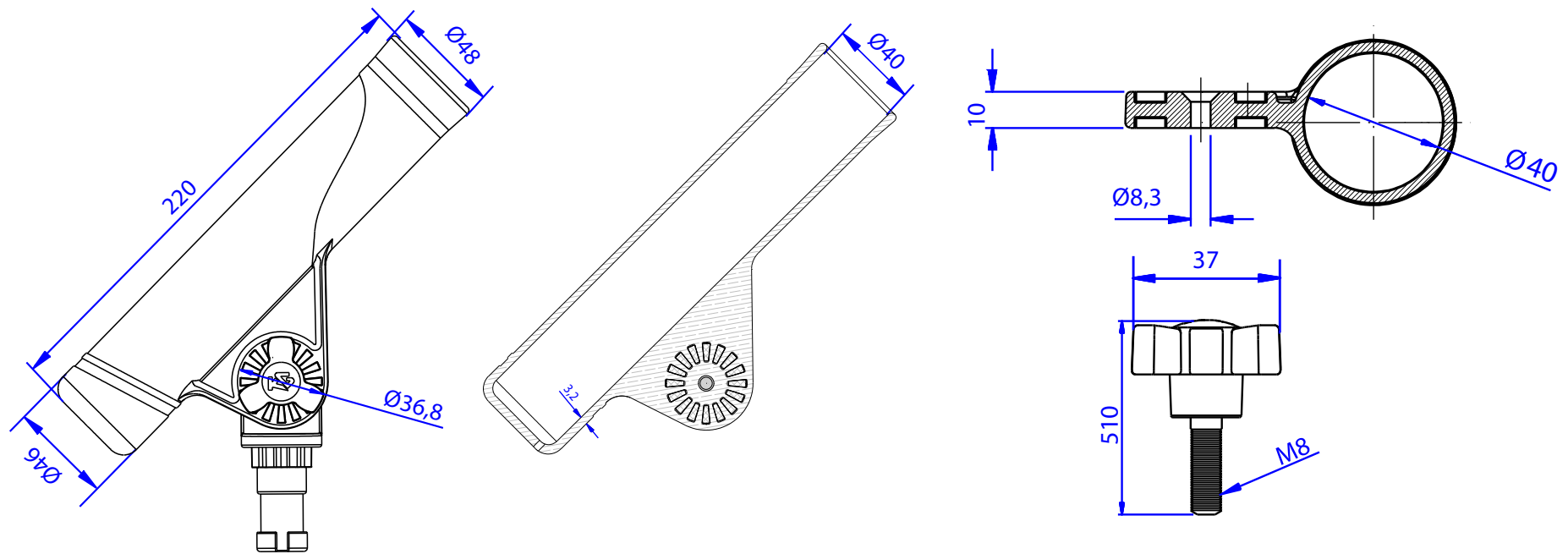


REF: 55100 Articulated Closed Rod Holder inclined



weight: 190g