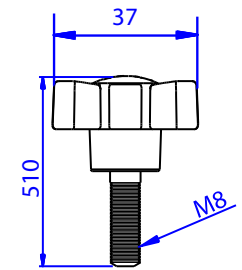
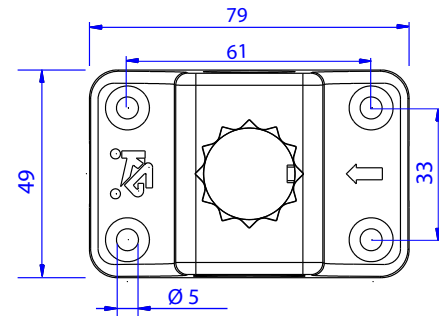
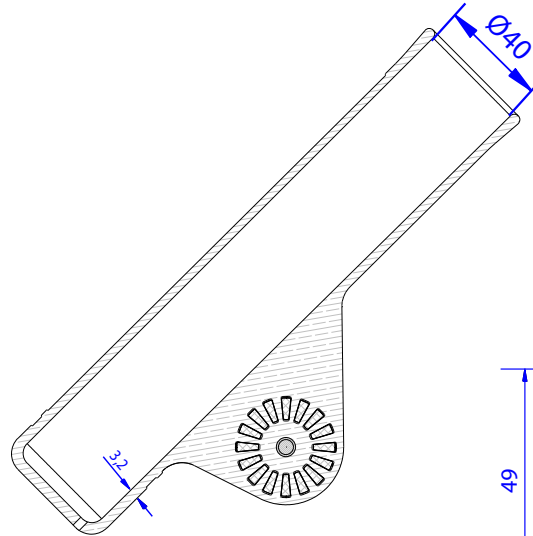
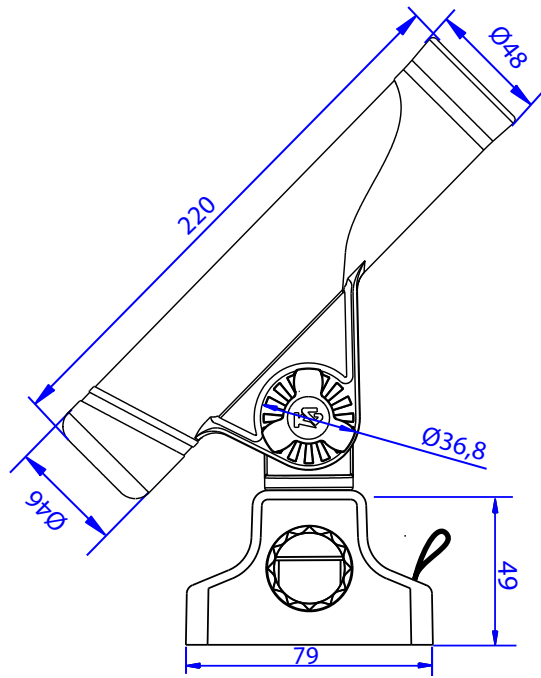


REF: 55105 Set Articulated Closed Rod Holder inclined



weight:270g