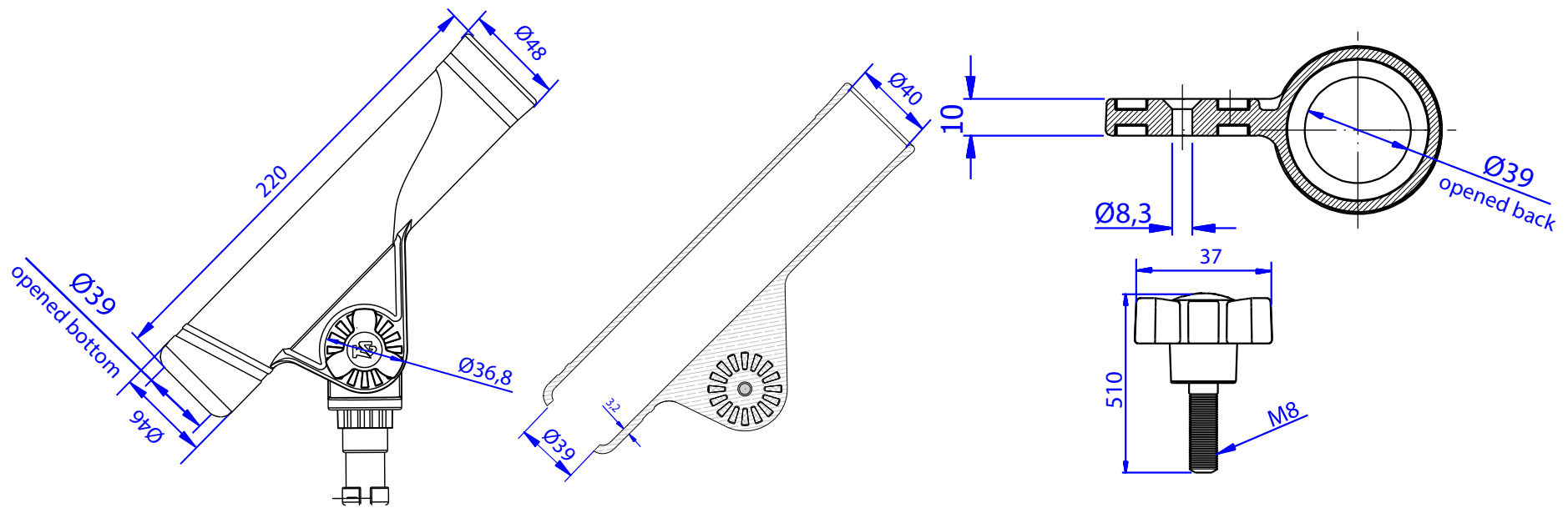


REF: 55110 Articulated Open Rod Holder inclined



weight: 185g