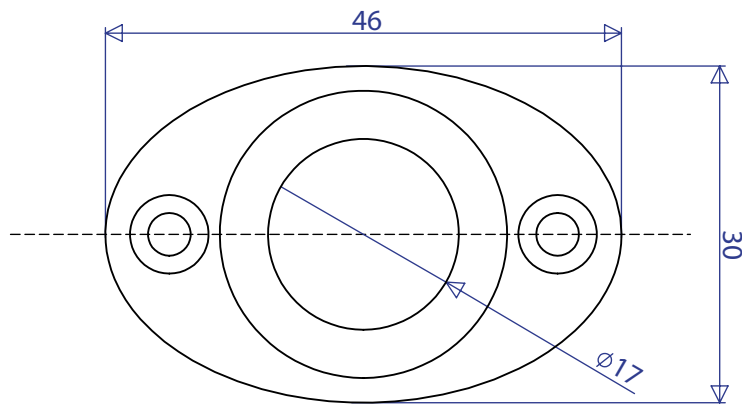


REF: 52801 Drain Plug Base standard thread



weight: 5g

