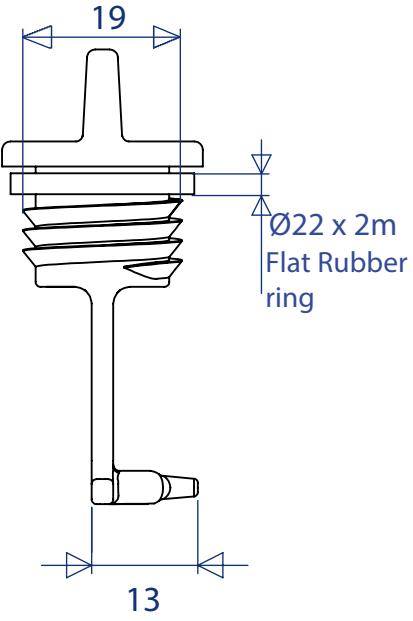
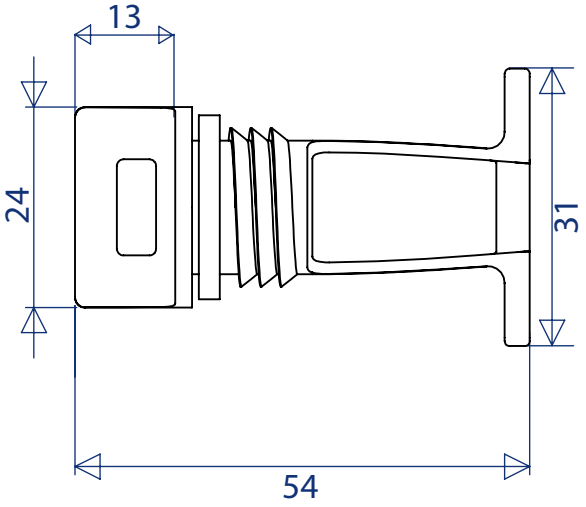


REF: 52802 Drain Plug standard thread



weight: 4g

