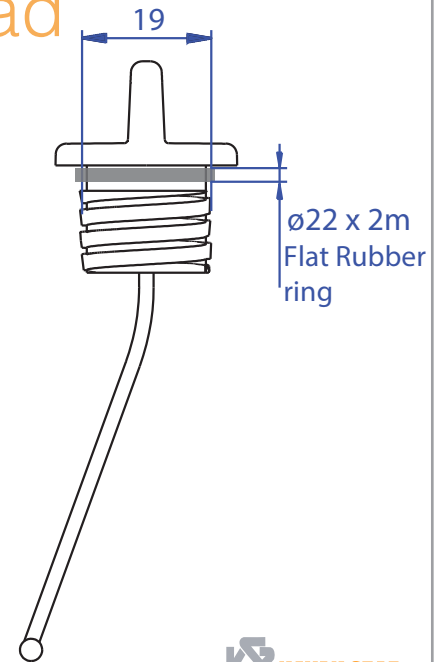
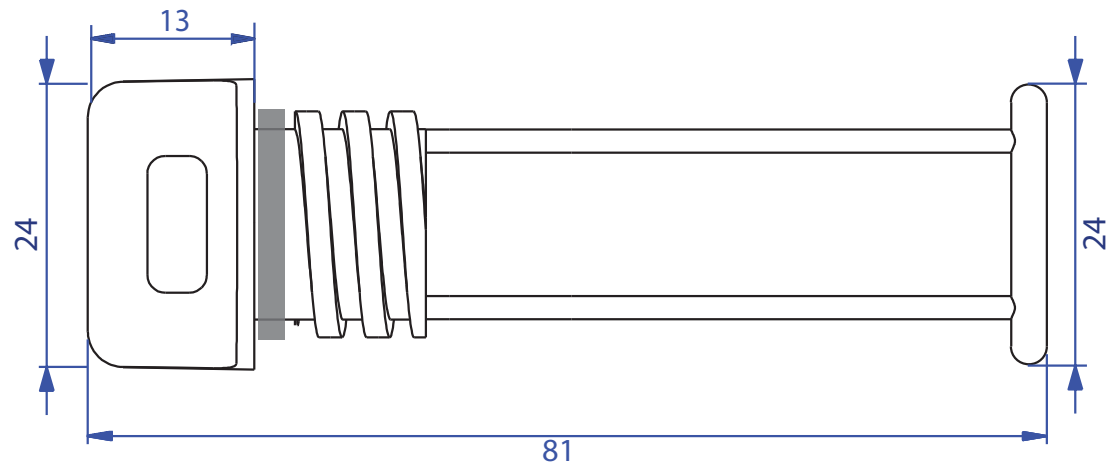


REF: 52804 Drain Plug LONG flat thread



weight: 5,7g